



- **Filter Regulator**
- **Lubricator**
- **Shut-Off Valve**
- **Solenoid Valve**
- **Pressure Gauge**
- **Modular Design**



# Pneumatic Air Treatment

Our good air treatment systems are completely modular and can be easily delivered precisely to the customer's requirements and needs



Filter Regulator + Lubricator



Filter Regulator + Lubricator + Shut-Off Valve



Filter Regulator + Lubricator + Shut-Off Valve + Solenoid Valve

Technical Data	Size 1			Size 2			
Threaded port	1/8"	1/4"	3/8"	3/8"	1/2"	3/4"	1"
Max. inlet pressure	Bar	15			13		
	MPa	1,5			1,3		
	Psi	217			188		
Flow Rate	See catalogue of the various elements						
Min/max temperature at 10 Bar	From -10° C. to +50° C			From -10° C. to +50° C			
Fluid	Compressed air or other inert gases						
Mounting Position	See catalogue of the various elements						
Direction of flow	Flow options right to left or vice versa						
Additional air take-off, for pressure gauges or fittings	1/8" front and rear, on all modules			1/4" front and rear, on all modules			
Wall fixing screws	2x M4 Screws			2x M5 Screws			
ATEX According to 94/9/CE	Ex II 3 GD c T5 T 100°C -20°C<Ta<50°C						

# Pneumatic Air Treatment

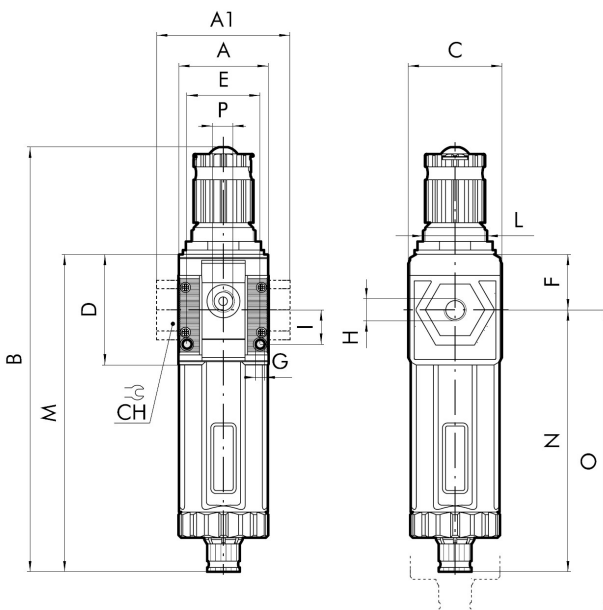
## Filter Regulator

- Manually Operated
- Visually inspection of the condensate level
- Pressure relief valve
- Padlock able push-lock knob

This effective filter regulator is used to adjust the compressed air flow, and is combined with an air filter and water trap for condensate drain



Technical Data		Size 1			Size 2			
Threaded Port		1/8"	1/4"	3/8"	3/8"	1/2"	3/4"	1"
Degree of filtration	µm	5 (yellow) - output air purity class ISO8573-1: 3.7.4						
		20 (white) - output air purity class ISO8573-1: 4.7.4						
		50 (blue) - output air purity class ISO8573-1: 5.7.4						
Max. inlet pressure	Bar (MPa / psi)	15 (1,5 / 217)			13 (1,3 / 188)			
Flow rate at 6,3 bar ΔP 0,5 bar	NI/min.	500	800	2200	3200	4300	5200	
(inlet pressure 10 bar)	scfm	18	28	78	113	152	184	
Flow rate at 6,3 bar ΔP 1 bar	NI/min.	1300	2000	3000	5800	7200	7400	
(inlet pressure 10 bar)	scfm	46	71	106	205	255	262	
Relief valve flow rate at 6.3 bar	NI/min.	70			100			
Min/max temperature at 10 bar; 1 MPa; 145 psi	°C	-10 til +50			-10 til +50			
Weight	gram	244	239	230	623	596	592	580
Mounting position		Vertical						
Additional air take-off, for pressure gauges or fittings		1/8" front and rear			1/4" front and rear			
Wall fixing screws		2x M4 Screws			2x M5 Screws			
Bowl capacity	cm <sup>3</sup>	30			70			



Dimension	Size 1			Size 2			
Port thread	1/8"	1/4"	3/8"	3/8"	1/2"	3/4"	1"
A	42			61			
A1	-	-	44	-	-	95	95
B	198			246			
C	44			61			
CH	-			-	-	32	36
D	51,5			70,5			
E	33,5			47,5			
F	25,8			38,2			
G	for M4 Screw			for M5 Screw			
I	16			22,5			
L	M30 x 1,5			M38 x 2			
M	148			178			
N	122,2			139,8			
O	202			245			
P	1/8"			1/4"			

# Pneumatic Air Treatment

## Lubricator

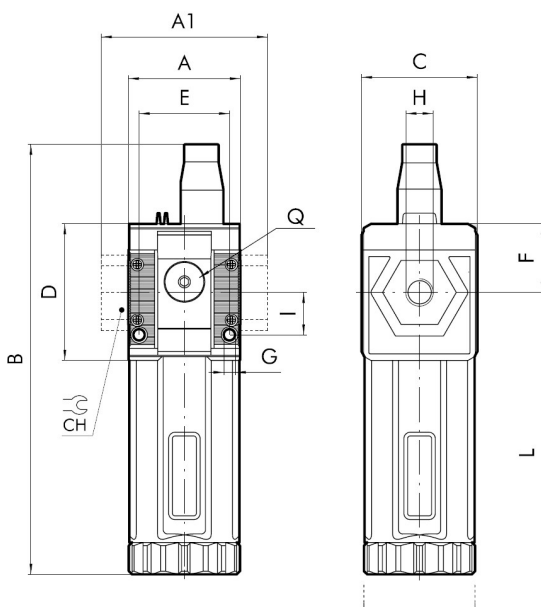
- Easy refilling
- Visually inspection of the condensate level
- Fast adjustment of oil-drops

This simple lubricator ensure that our pneumatic vibrators always get oiled the moving mechanical parts for optimal performance and functionality.

Can easily be combined with a filter regulator or as stand-alone unit.



Technical Data		Size 1			Size 2			
Threaded Port		1/8"	1/4"	3/8"	3/8"	1/2"	3/4"	1"
Type of lubrication		Oil mist						
Max. input pressure	Bar (MPa / psi)	15 (1,5 / 217)			13 (1,3 / 188)			
Flow rate at 6,3 bar ΔP 0,5 bar	NI/min.	1300	1700	2200	2300	3900	3900	
(inlet pressure 10 bar)	scfm	46	60	78	81	138	138	
Flow rate at 6,3 bar ΔP 1 bar	NI/min.	1600	3000	3650	3650	6100	6100	
(inlet pressure 10 bar)	scfm	57	106	129	129	216	216	
Relief valve flow rate at 6.3 bar	NI/min.	-10 til +50			-10 til +50			
Weight	gram	185	180	171	480	453	449	437
Mounting position		Vertical						
Additional air take-off, for pressure gauges or fittings		1/8" front and rear			1/4" front and rear			
Wall fixing screws		2x M4 Screws			2x M5 Screws			
Bowl capacity	cm <sup>3</sup>	60			130			



Dimensions	Size 1			Size 2			
Port thread	1/8"	1/4"	3/8"	3/8"	1/2"	3/4"	1"
A	42			61			
A1	-	-	44	-	-	95	95
B	162			200,5			
C	44			61			
CH	-			-	-	32	36
D	51,5			70,5			
E	33,5			47,5			
F	25,8			38,2			
G	for M4 screws			for M5 screws			
I	16			22,5			
L	158			193			
Q	1/8"			1/4"			

# Pneumatic Air Treatment

## Oil Collection Filter

- Active carbon filter for separation of liquids and oil from the vibrator outlet port
- eliminate all traces of oils, solvents and remove unpleasant odours
- Sight glass for inspection

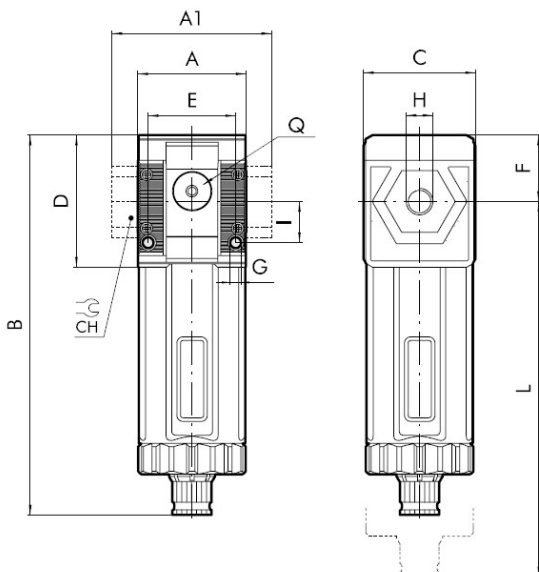
Very efficient separation of oil lubrication, liquids and odours from the used and spend pressurized air from the pneumatic vibrators

In many industries like the pharmaceuticals, food and chemicals industry, operation with lubricated compressed air is undesirable, but can be solved with enclosed collection of the used lubrication



Technical Data	Size 1			Size 2			
	1/8"	1/4"	3/8"	3/8"	1/2"	3/4"	1"
Threaded Port	1/8"	1/4"	3/8"	3/8"	1/2"	3/4"	1"
Residual oil at 20°C *	Mg/m <sup>3</sup> 0,003 - Udblæsningsluft Klasse ISO 8573-1: 1.7.1						
Duration of cartridge *	Hours 4000			Hours 4000			
Max. Inlet Pressure	Bar / MPa / psi 15 / 1,5 / 217			Bar / MPa / psi 13 / 1,3 / 188			
Suggested flow rate at 6.3 bar	NI/min. 350			NI/min. 800			
Min/max temperature at 10 bar	°C -10 up to +50			°C -10 up to +50			
Weight	gram 195	gram 190	gram 181	gram 483	gram 456	gram 452	gram 440
Condensate drain	RMSA: drain with manual condensate discharge and automatic discharge at zero pressure						
Fluid	0,01 µm filtered and deperated air						
Mounting position	In any position			In any position			
Additional air take-off port (unfiltered air from cartridge)	1/8" front and rear			1/4" front and rear			
Wall fixing screws	No. 2 M4 screws			No. 2 M5 screws			
Notes on use	Upstream it's necessary to mount a coalescence filter deperator of 0.01mm.						
Capacity	cm <sup>3</sup> 60			cm <sup>3</sup> 130			

\* if the load loss of 75 mbar is not exceeded



Dimensions	Size 1			Size 2			
Port thread	1/8"	1/4"	3/8"	3/8"	1/2"	3/4"	1"
A	42			61			
A1	-	-	44	-	-	95	95
B	148			178			
C	44			61			
CH	-			-	-	32	36
D	51,5			70,5			
E	33,5			47,5			
F	25,8			38,2			
G	for M4 screws			for M5 screws			
I	16			22,5			
L	202			245			
Q	1/8"			1/4"			

# Pneumatic Air Treatment

## Shut-Off Valve

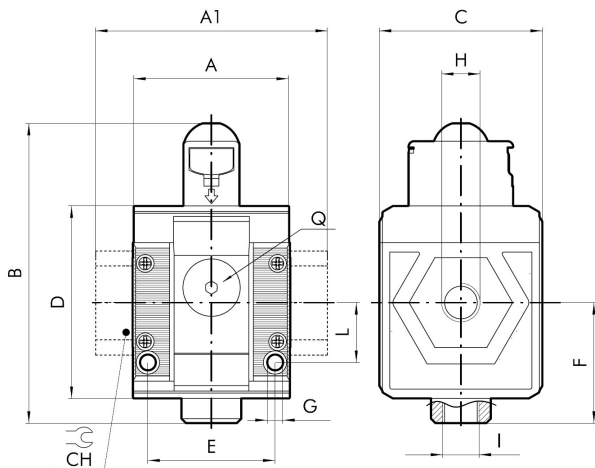
- **Manually Operated**
- **Padlock able push-lock knob**



Manual 3-way valve in order to disconnect the compressed air to the other air treatment components or our pneumatic vibrators.

Can be combined with a filter regulator or lubricator

Technical Data		Size 1			Size 2			
Threaded Port		1/8"	1/4"	3/8"	3/8"	1/2"	3/4"	1"
Type of control		Manual						
Max inlet pressure	Bar (MPa / psi)	15 (1,5 / 217)			13 (1,3 / 188)			
Pilot pressure	Bar (MPa / psi)	3-10 (0,3-1 / 43-145)			3-10 (0,3-1 / 43-145)			
Flow rate at 6,3 bar $\Delta P$ 0,5 bar	NI/min.	800	1000	1100	2800	3000	3000	
(inlet pressure 10 bar)	scfm	28	35	39	99	106	106	
Flow rate at 6,3 bar $\Delta P$ 1 bar	NI/min.	1100	1500	1600	3600	4000	4000	
(inlet pressure 10 bar)	scfm	39	53	57	127	141,5	141,5	
Exhaust flow rate at 6,3 bar (0,63 MPa / 91 psi)	NI/min.	500			2000			
Min/max temperature at 10 bar; 1 MPa; 145 psi	°C	-10 til +50			-10 til +50			
Weight	gram	197	192	183	476	449	445	433
Mounting position		In any position						
Additional air take-off, for pressure gauges or fittings		1/8" front and rear			1/4" front and rear			
Wall fixing screws		2x M4 Screws			2x M5 Screws			



Dimensions	Size 1			Size 2			
Port thread	1/8"	1/4"	3/8"	3/8"	1/2"	3/4"	1"
A	42			61			
A1	-	-	44	-	-	95	95
B	66			94			
C	44			61			
CH	-			-	-	32	36
D	51,5			70,5			
E	33,5			47,5			
F	32,2			42,7			
G	for M4 screws			for M5 screws			
I (Exhaust)	1/8"			1/4"			
L	16			22,5			
Q	1/8"			1/4"			

# Pneumatic Air Treatment

## Solenoid Valve

- Electric activation 24V DC or 230 V AC
- Automatic Exhaust
- Can be delivered with pneumatic activation

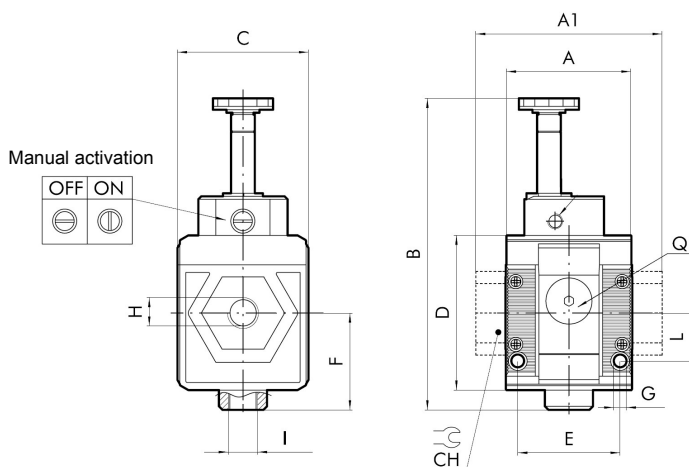
Electrical 3-way valve in order to disconnect the compressed air to the other air treatment components or our pneumatic vibrators.

Can be combined with a filter regulator or lubricator

We can also supply the necessary electrical coils and cable connectors



Technical Data		Size 1			Size 2			
Threaded Port		1/8"	1/4"	3/8"	3/8"	1/2"	3/4"	1"
Type of control		Electric 24V DC or 230V AC						
Max inlet pressure	Bar (MPa / psi)	15 (1,5 / 217)			13 (1,3 / 188)			
Pilot pressure	Bar (MPa / psi)	3-10 (0,3-1 / 43-145)			3-10 (0,3-1 / 43-145)			
Flow rate at 6,3 bar $\Delta P$ 0,5 bar	NI/min.	800	1000	1100	2800	3000	3000	
(inlet pressure 10 bar)	scfm	28	35	39	99	106	106	
Flow rate at 6,3 bar $\Delta P$ 1 bar	NI/min.	1100	1500	1600	3600	4000	4000	
(inlet pressure 10 bar)	scfm	39	53	57	127	141,5	141,5	
Exhaust flow rate at 6,3 bar (0,63 MPa / 91 psi)	NI/min.	500			2000			
Min/max temperature at 10 bar; 1 MPa; 145 psi	°C	-10 til +50			-10 til +50			
Weight	gram	197	192	183	476	449	445	433
Mounting position		In any position						
Additional air take-off, for pressure gauges or fittings		1/8" front and rear			1/4" front and rear			
Wall fixing screws		2x M4 Screws			2x M5 Screws			

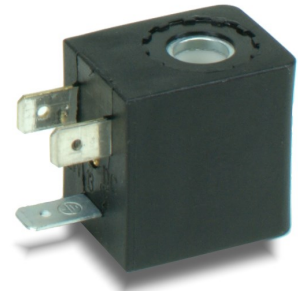


Dimension	Size 1		
Port thread	1/8"	1/4"	3/8"
A	42		
A1	-	-	44
B	104		
C	44		
CH	-		
D	51,5		
E	33,5		
F	32,2		
G	for M4 screws		
I (Exhaust)	1/8"		
L	16		
Q	1/8"		

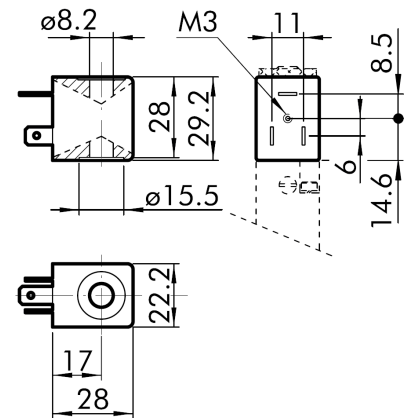
# Pneumatic Air Treatment

## Coils for Solenoid Valves

- Standard size 22mm. (Can be supplied as 30mm.)
- For  $\varnothing 8\text{mm}$ . mandrel
- Voltage tolerance: -10% +15%
- Insulation class: F115
- Degree of protection: IP65 EN60529 with connector
- Avoid prolonged exposure to the atmospheric agents
- Coil temperature 100% ED: from 70°C to 20°C – Ambient temperature
- According to ATEX 94/9 CE rule, group 2, category 3 GD (Zone 2 & 21,22)
- Can be supplied for UL, UR & CSA to north American



Model	Nominal voltage	Absorption	
		Inrush	Holding
12 Volt DC - 2W	12Vcc	2W	2W
24 Volt DC - 2W	24Vcc	2W	2W
24 Volt AC - 3,5VA	24V 50/60 Hz	5,3VA	3,5VA
110 Volt AC - 3,5VA	110V 50/60 Hz	5,3VA	3,5VA
220 Volt AC - 3,5VA	220V 50/60 Hz	5,3VA	3,5VA

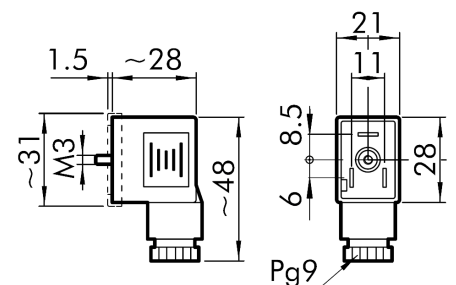


## Cabel Connector for Solenoid Valves

- Standard size 22mm. (Can be supplied as 30mm.)
- Can supplied as ATEX Ex II 3 GD (Zone 2 & 21,22)



Model	Color	Cable Diameter
Standard	Black	PG9
LED 24 V	Transparent	PG9
LED 110 V	Transparent	PG9
LED 220 V	Transparent	PG9
ATEX	Black	PG9





# Pneumatic Air Treatment

## Filter Regulator + Lubricator

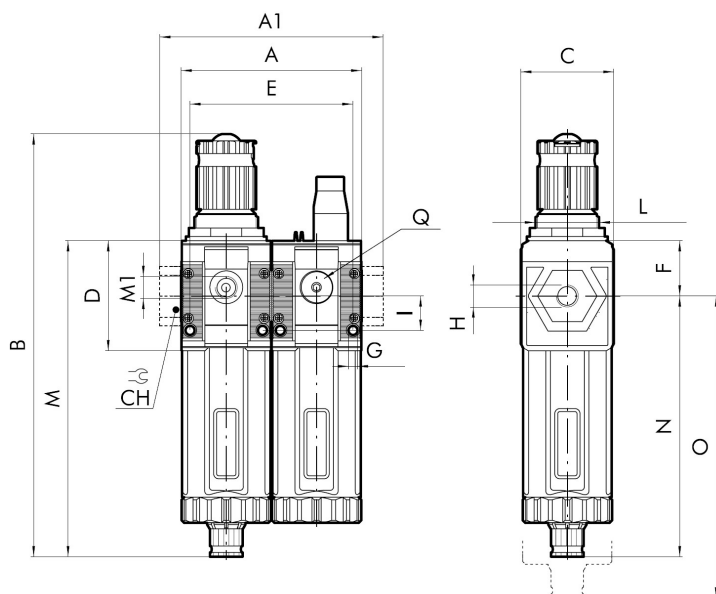
- Pressure adjustment and lubrication
- Visually inspection of the condensate level
- Fast adjustment of oil-drops
- Padlock able push-lock knob

With the combination of filter regulator and lubricator, provide a good control and adjustment of the air pressure for our pneumatic vibrators.

We can also provide all the necessary fittings



Technical Data	Size 1			Size 2			
	1/8"	1/4"	3/8"	3/8"	1/2"	3/4"	1"
Threaded Port	1/8"	1/4"	3/8"	3/8"	1/2"	3/4"	1"
Degree of filtration	5 (yellow) - output air purity class ISO8573-1: 3.7.4 20 (white) - output air purity class ISO8573-1: 4.7.4 50 (blue) - output air purity class ISO8573-1: 5.7.4						
Max. inlet pressure	15 (1,5 / 217)			13 (1,3 / 188)			
Flow rate at 6,3 bar ΔP 0,5 bar	350			1200			
(inlet pressure 10 bar)	12			42,5			
Flow rate at 6,3 bar ΔP 1 bar	1400			4000			
(inlet pressure 10 bar)	50			141,5			
Relief valve flow rate at 6.3 bar	70			100			
Min/max temperature at 10 bar; 1 MPa; 145 psi	-10 til +50			-10 til +50			
Weight	414	409	400	1074	1047	1043	1031
Mounting position	Vertical						
Additional air take-off, for pressure gauges or fittings	1/8" front and rear			1/4" front and rear			
Wall fixing screws	2x M4 Screws			2x M5 Screws			
Bowl capacity (condensate)	30			70			
Bowl capacity (Oil)	60			130			



Dimension	Size 1			Size 2			
Port thread	1/8"	1/4"	3/8"	3/8"	1/2"	3/4"	1"
A	84			122			
A1	-	-	86	-	-	156	156
B	198			246			
C	44			61			
CH	-			-	-	32	36
D	51,5			70,5			
E	75,3			108			
F	25,8			38,2			
G	for M4 Screw			for M5 Screw			
I	16			22,5			
L	M30 x 1,5			M38 x 2			
M	148			178			
M1 (Pressure gauge)	1/8"			1/4"			
N	122,2			139,8			
O	202			245			

# Pneumatic Air Treatment

## Filter Regulator + Lubricator + Shut-Off Valve

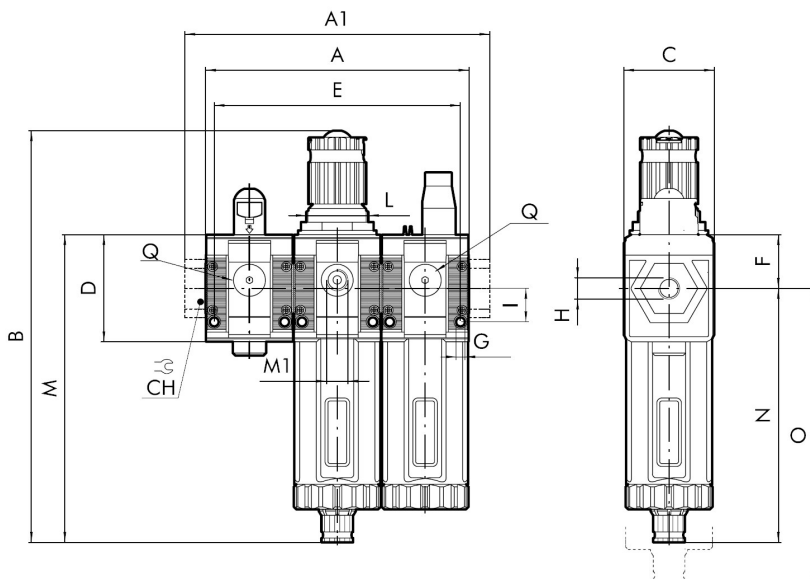
- Pressure adjustment and lubrication
- Manually Operated
- Fast adjustment of oil-drops
- Padlock able push-lock knob

With the combination of filter regulator, lubricator and shut-off valve, gives the full control and adjustment of the compressed air for our pneumatic vibrators.

We can also provide all the necessary fittings



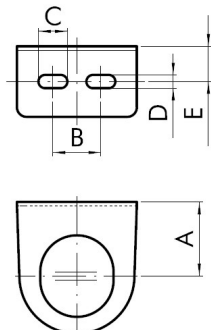
Technical Data	Size 1			Size 2			
	1/8"	1/4"	3/8"	3/8"	1/2"	3/4"	1"
Threaded Port	1/8"	1/4"	3/8"	3/8"	1/2"	3/4"	1"
Degree of filtration	5 (yellow) - output air purity class ISO8573-1: 3.7.4 20 (white) - output air purity class ISO8573-1: 4.7.4 50 (blue) - output air purity class ISO8573-1: 5.7.4						
Max. inlet pressure	15 (1,5 / 217)			13 (1,3 / 188)			
Flow rate at 6,3 bar ΔP 0,5 bar	250			1200			
(inlet pressure 10 bar)	9			42,5			
Flow rate at 6,3 bar ΔP 1 bar	1050			4000			
(inlet pressure 10 bar)	37			141,5			
Relief valve flow rate at 6.3 bar	70			100			
Min/max temperature at 10 bar; 1 MPa; 145 psi	-10 til +50			-10 til +50			
Weight	598	593	584	1479	1452	1448	1436
Mounting position	Vertical						
Additional air take-off, for pressure gauges or fittings	1/8" front and rear			1/4" front and rear			
Wall fixing screws	2x M4 Screws			2x M5 Screws			
Bowl capacity (condensate)	30			70			
Bowl capacity (Oil)	60			130			



Dimension	Size 1			Size 2			
Port thread	1/8"	1/4"	3/8"	3/8"	1/2"	3/4"	1"
A	126			183			
A1	-	-	128	-	-	217	217
B	198			246			
C	44			61			
CH	-			-	-	32	36
D	51,5			70,5			
E	117,1			168,5			
F	25,8			38,2			
G	for M4 Screw			for M5 Screw			
I	16			22,5			
L	M30 x 1,5			M38 x 2			
M	148			178			
M1	1/8"			1/4"			
N	122,2			139,8			
O	202			245			

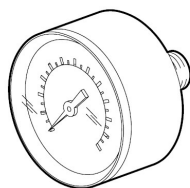
## Accessories

### Wall Mounting Bracket



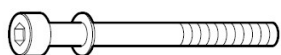
Dimension	Size 1			Size 2			
	1/8"	1/4"	3/8"	3/8"	1/2"	3/4"	1"
A	32			42			
B	20			40			
C	12			12			
D	5,5			5,5			
E	14,2			15			

### Pressure Gauge



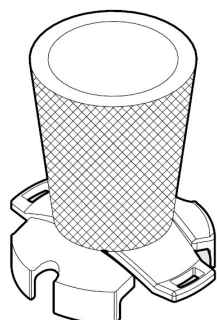
Diameter	Max. input	Thread
Ø40	12 Bar	1/8"
Ø40	4 Bar	1/8"
Ø50	12 Bar	1/8"
Ø50	4 Bar	1/8"
Ø63	4 Bar	1/4"

### Screws for wall fixing



Type	Dimension	Max torque
Size 1	M4 x 55 mm.	0,8 Nm
Size 2	M5 x 75 mm.	2,0 Nm.

### Filtering Element for Filter Regulator



Diameter	Filter		
	5 µm (gul)	20 µm (hvid)	50 µm (blå)
Size 1	5 µm (gul)	20 µm (hvid)	50 µm (blå)
Size 2	5 µm (gul)	20 µm (hvid)	50 µm (blå)



As a natural part of our product range, we can supply all kinds of relevant pneumatic components used in conjunction with our pneumatic vibrators.

- **Pedal operated valve** for hands-free activation of the pneumatic vibrators
- **Hose couplings** For any standard pneumatic hose connection
- **Tube** made in nylon or PUR in any size for Push-In fittings
- **Fittings** for Push-In or Push-On systems in all variations and sizes
- **Throttle Valves** for the adjustment of the inlet or the outlet pressure of the pneumatic vibrators
- **Solenoid Valves** for activating the pneumatic vibrators - Electrical 24V or 230V, pneumatic and manual operation
- **Silencers** to reduce the noise level - made in plastic, sintered bronze or with throttling for adjustment of the amplitude

Please contact us for further information or technical documentation on phone +45 5687 0723 or [info@luftvibrator.dk](mailto:info@luftvibrator.dk)